

PORTABLE

ALLEY & TUB



 **ARROWQUIP**

WHY ARROWQUIP?

Introducing the new era of cattle handling equipment – the 700 Series. Taking limitless cattle handling to the next level, Arrowquip's newest line of equipment has a solution for every kind of rancher. With infinite options and configurations to choose from, you're guaranteed to achieve maximum efficiency no matter what your operation needs.

PRODUCT CODE: PTA

MODEL: 3E BUDFLOW

WEIGHT: 4080 lbs.

WORKING DIMENSIONS: 177" w x 85" h x 395" l (When set up.)

TOWING DIMENSIONS: 75" w x 95" h x 335" l (With wheels and hitch.)

MODEL: CROWDING TUB

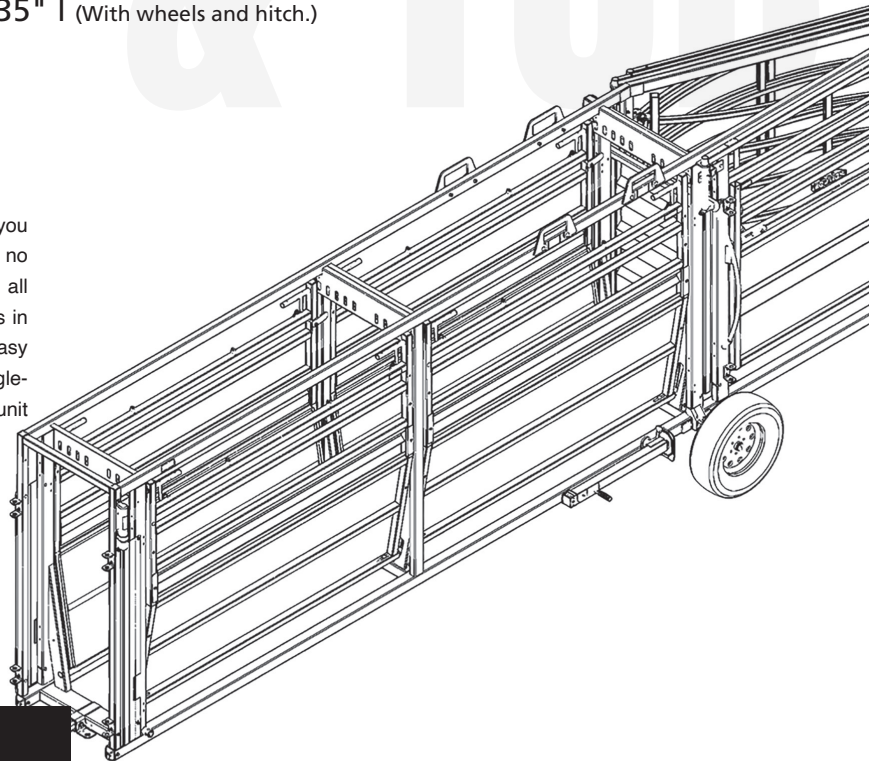
WEIGHT: 4080 lbs.

WORKING DIMENSIONS: 115" w x 85" h x 395" l (When set up.)

TOWING DIMENSIONS: 75" w x 95" h x 335" l (With wheels and hitch.)

THIS IS LIMITLESS CATTLE HANDLING

Arrowquip's Portable Alley & Tub has been upgraded to provide you with more capacity and features to make working cattle simpler no matter where you are. Featuring the portable system frame found in all Arrowquip portable models, the 16-foot diameter collapsible tub folds in half, giving you a compact portable handling system that is safe and easy to tow. With an adjustable hitch, thick structural beams, and a new single-point manual jacking system, setting up and taking down this portable unit can be done in under 5 minutes.



PRODUCT WARRANTY

- Portable unit - 1 YEAR

Products must be registered to claim warranty. Contact your Authorized Arrowquip Dealer for more information.

EASY FLOW ALLEY

- Cradle-shaped alley prevents cattle of any size from turning around
- Removable panels for varied sheet height options
- Narrows down the middle to work with the parallel squeeze
- Additional 8' section of alley increases working capacity
- Safety latches on the side panels add security when adjusting
- Spring-loaded locking system allows for easy adjustments



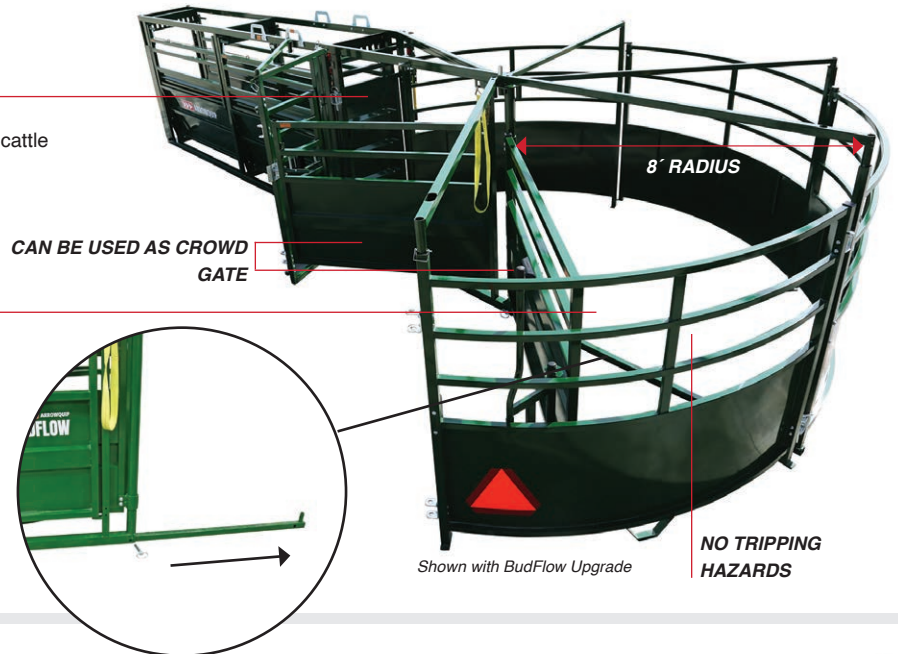
CABLES FOR ADJUSTMENTS FROM EITHER SIDE

29.5" TO 18"

PANELS CAN DROP DOWN IN REMOVABLE PANELS EMERGENCIES

ROLLING ALLEY GATES

- Rolling alley gates allow you to control the movement of cattle through the system
- Top-mounted tracks eliminate the issue of build-up
- Reversible offside & onside operation



CAN BE USED AS CROWD GATE

8' RADIUS

NO TRIPPING HAZARDS

Shown with BudFlow Upgrade

COLLAPSIBLE TUB

- No assembly required
- Quick and easy set up
- Tub folds in itself for compact towing



PORTABLE SYSTEM FRAME [PATENT-PENDING]

- Engineered for durability during transport
- Most compact towing units in the industry
- Simple set-up and takedown

TRANSPORTATION

- Improved hitch has an added gusset for additional support, and the bracket can be adjusted into three different positions to work with different vehicles
- Simple set-up and take-down
- Includes American-Made heavy-duty ball hitch



2" x 3" BEAMS

3" x 3" BEAMS

WHEELS INSTALLED/ REMOVED WITH TWO PINS

MANUAL HITCH JACK

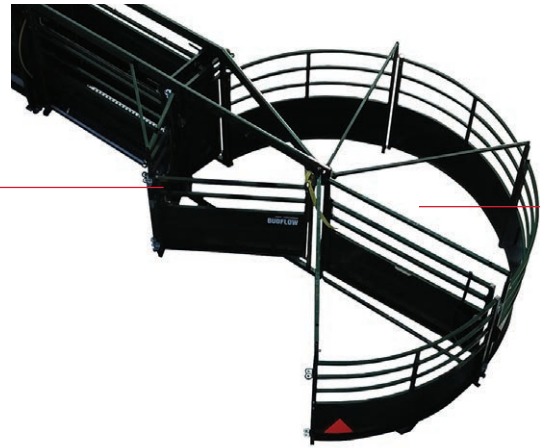
**TOWING VS
WORKING
DIMENSIONS**



UPGRADES

3E BUDFLOW TUB

- All panels are sheeted low for better cattle flow and point of balance handling
- No assembly required
- Ability to add a load out or an additional section
- 3E door features panel clips to connect to other components like an alley, load-out, or calf table
- Folds into a narrow towing profile



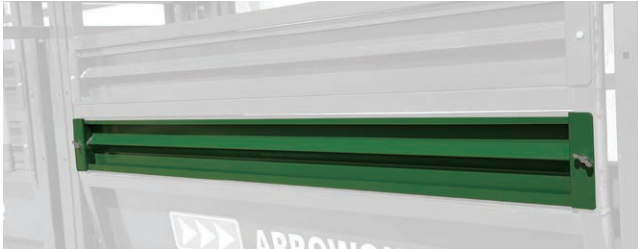
**3E PANEL
DOUBLES AS
MAN DOOR**

**NO TRIPPING
HAZARDS**

CHOOSE YOUR MODEL

<p>MANUAL JACK & 3E BUDFLOW</p>	<p>WEIGHT: 4420 lbs. WORKING DIMENSIONS: 177" w x 85" h x 395" l (When set up.) TOWING DIMENSIONS: 75" w x 95" h x 335" l (With wheels and hitch.)</p>
<p>MANUAL JACK & CROWDING TUB</p>	<p>WEIGHT: 4080 lbs. WORKING DIMENSIONS: 115" w x 85" h x 395" l (When set up.) TOWING DIMENSIONS: 75" wx 95" h x 335" l (With wheels and hitch.)</p>

ADD-ONS



ADDITIONAL REMOVABLE SIDE PANELS

These panels can be used to raise the sheet height of your alley to further control what cattle see. Eliminating distractions can greatly improve the efficiency of cattle flow through your system.



ANTI-BACKING BAR

An add-on you can install in an alley section to prevent cattle from backing up and disrupting the flow.

Arrowquip has been creating best in class livestock equipment since 1988 through an extensive research and development process that is unmatched in the cattle industry. We employ the only team of engineers specifically dedicated to cattle handling, and are constantly improving our equipment to adhere the latest recommendations from key researchers and cattle handling experts.

Every piece of equipment we design is intended to make managing your cattle faster, easier, and safer every step of the way. Why does that matter?

Easier. Working cattle is hard enough. Why make it harder on yourself with equipment that is difficult to use and requires frustrating adjustments? Our equipment is designed with ease of use for the operator in mind, with ergonomic handles and far less adjustments, to make working your cattle easier than ever before. You don't need to be 6' tall to use our equipment, either!

Faster. Too many cattle handling systems are designed without consideration for natural cattle behavior, which results in stubborn cattle

that refuse to move effectively. Arrowquip equipment works with animal science to get cattle to move through the handling system without delays, thanks to unique features like our patented 3E System that uses light to draw cattle from tub to chute.

Safer. Good help is hard to find, and getting harder every day. When you're out in the field with your kids, your brother, or your wife, you need equipment you can trust every step of the way. There is no room for error. Our equipment is designed with safety for handlers and cattle in mind, and undergoes extensive testing to ensure the equipment is reliable for your ranch.

From chutes for cattle to custom cattle working systems and pens, Arrowquip has a solution for all your cattle handling needs. For added security, our equipment is backed by industry-leading warranty. Let our generations of ranching experience and knowledge of cattle behavior help you develop a more efficient and profitable operation today, tomorrow, and for years to come.

